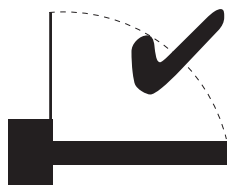


CF5143

FD30 Fire Door Installation Instructions

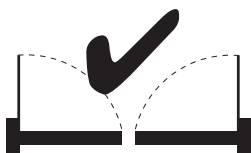
This door is to be installed as FD30 Doorset.
Maximum leaf size 2040mm x 926mm.

ALLOWED



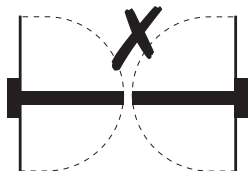
Single leaf, single acting

ALLOWED



Double leaf, single acting

***NOT ALLOWED**



Double acting, single
or double leaf

GLAZING



Aperturing to be completed
by an approved third party
BWF CERTIFIRE member only



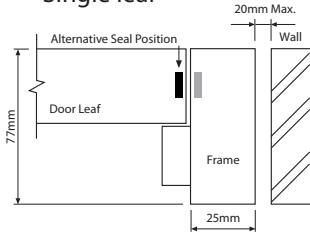
* For other configurations,
closers and glazing of
apertures, see the specific
manufacturer's technical
data sheet from
www.jeld-wen.co.uk
or phone the company
helpline on 0845 122 2890

Installation Instructions

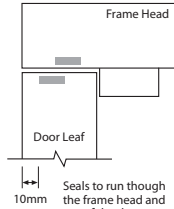
All Dimensions are in Millimetres (mm)

1. Door Frame

Single leaf



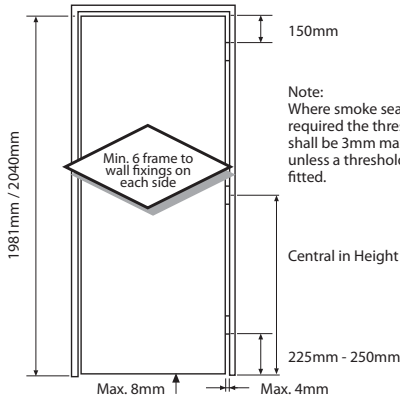
Double leaf



The frame to wall gap must be filled with stone wool or sealed with intumescent mastic if less than 6mm wide.

Seals to run though the frame head and top of the door. These are to be offset from each other.

2. Hinge Position & Fixing Locations



Note: Where smoke seals are required the threshold gap shall be 3mm maximum unless a threshold seal is fitted.

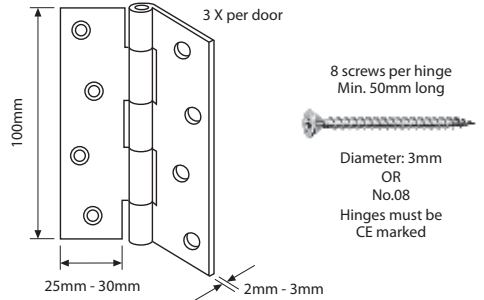
Measure from the top of the floor covering to the underside of the door.

4. Door Seals



Certifire Any CERTIFIRE approved intumescent

5. Hinges & Screws



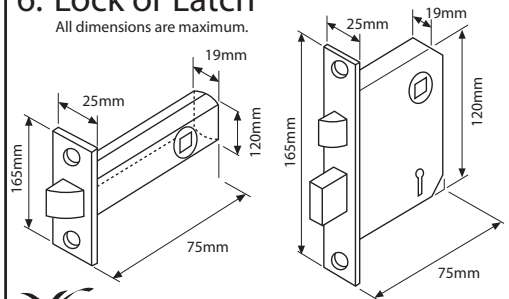
8 screws per hinge
Min. 50mm long

Diameter: 3mm
OR
No.08
Hinges must be
CE marked

Pilot holes required. Screws to door leaf must be chipboard thread pattern.

6. Lock or Latch

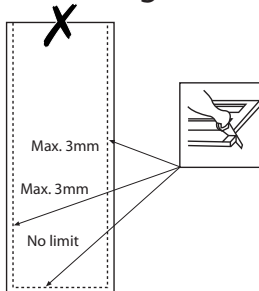
All dimensions are maximum.



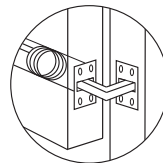
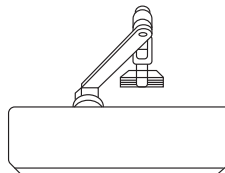
Certifire Any CERTIFIRE approved

Pilot holes required. Screws to door leaf must be chipboard thread pattern.

3. Trimming of the door



7. Door Closer, handles & any other surface mounted hardware



Minimum 38mm long

Jamb mounted closer may be used on internal doors to dwelling with single family occupancy.

Certifire Any CERTIFIRE approved to BS EN 1154

Pilot holes required. Screws to door leaf must be chipboard thread pattern.